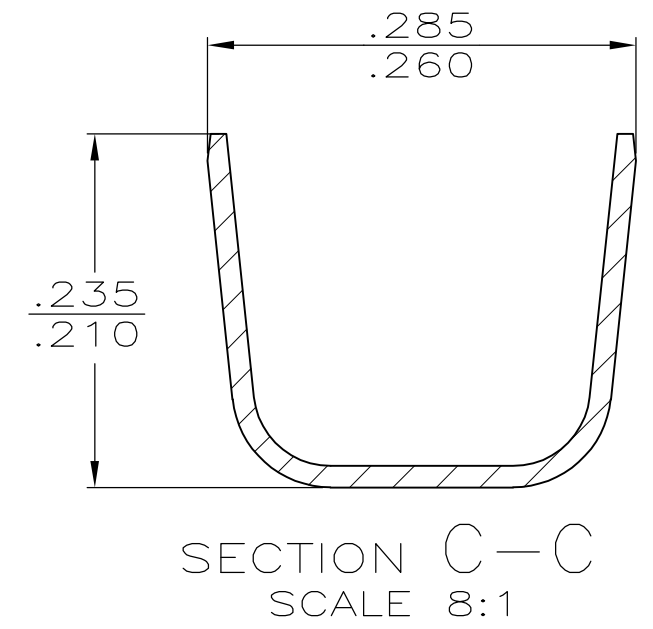
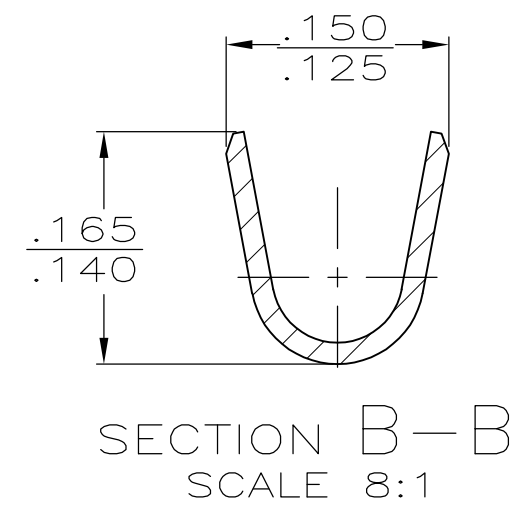
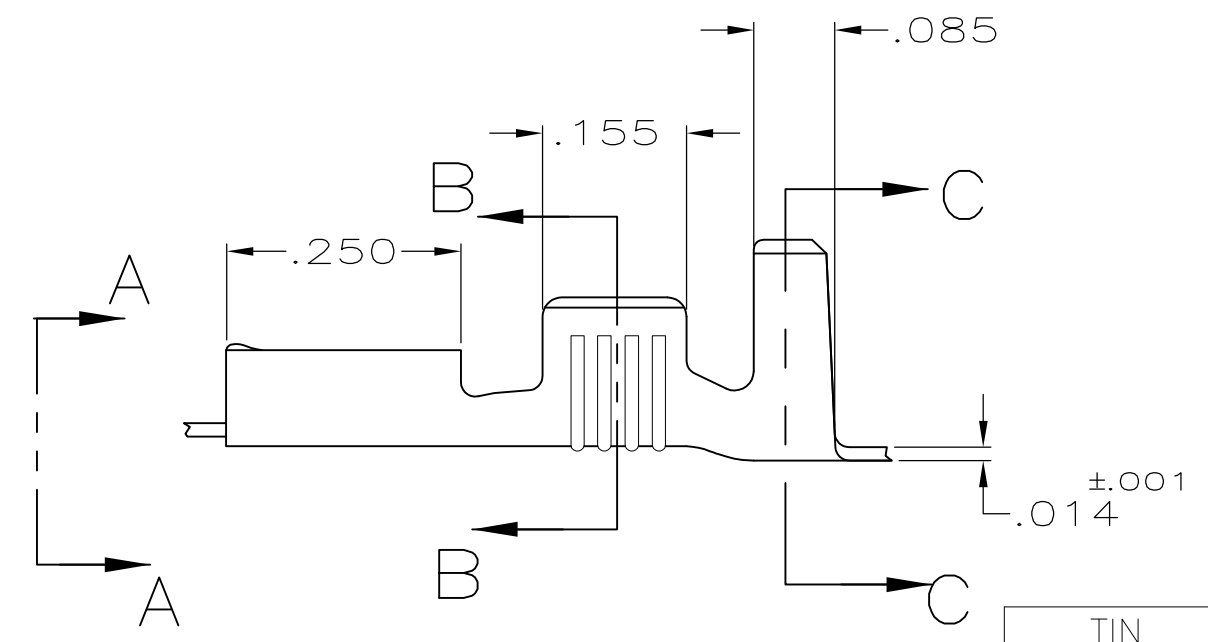
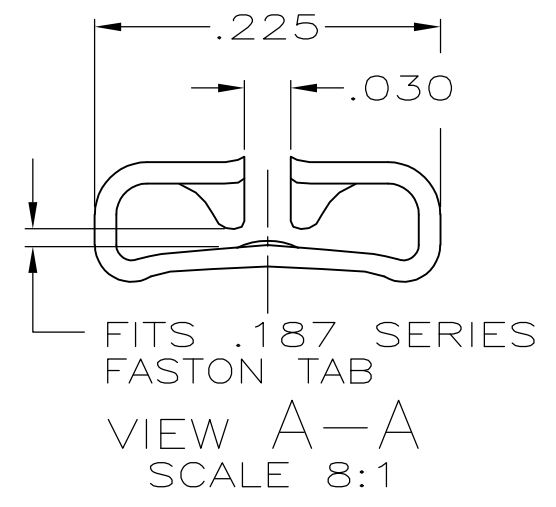
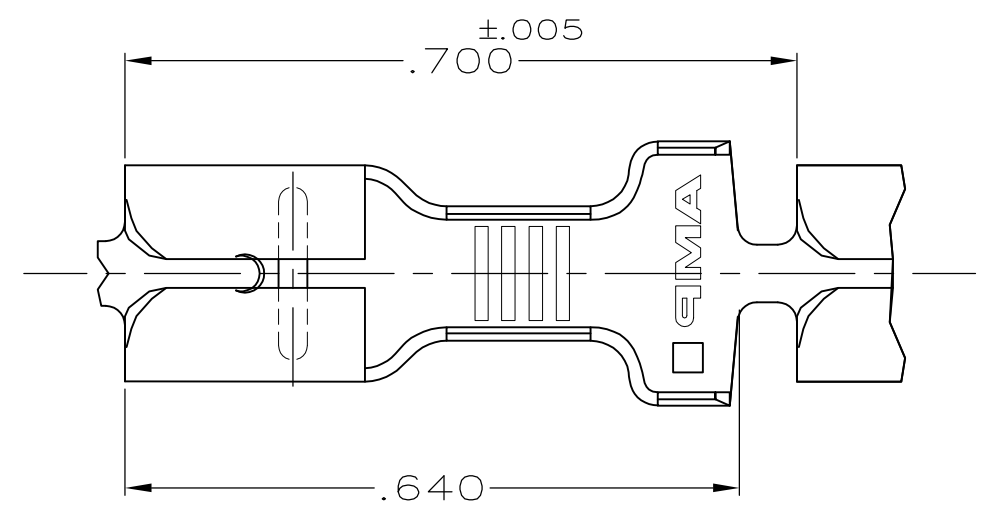


THIS DRAWING IS UNPUBLISHED. RELEASED FOR PUBLICATION
 © COPYRIGHT - By - ALL RIGHTS RESERVED.

LOC	DIST	REVISIONS					
AF	50	P	LTR	DESCRIPTION	DATE	DWN	APVD
			J	REVISED PER ECR-12-013445	27OCT12	KH	PD

1 CONTINUOUS STRIP ON REELS.



TIN	.180 - .230	18-14 OR	.020	60742-2
-	OR (2) .110 MAX	(2) #16'S		60742-1
FINISH	INSUL RANGE	WIRE SIZE	MATING TAB THK ± .001	PART NO
THIS DRAWING IS A CONTROLLED DOCUMENT.		DWN JR RUTH 3/14/90	TE Connectivity RECEPTACLE, FASTON TM .187 SERIES	
DIMENSIONS: INCHES		CHK MS FEHER 3/14/90		
TOLERANCES UNLESS OTHERWISE SPECIFIED:		APVD C MEYERS 3/14/90		
0 PLC ± - 1 PLC ± - 2 PLC ± - 3 PLC ± .010 4 PLC ± - ANGLES ± -		PRODUCT SPEC		
MATERIAL	BRASS	FINISH	SEE TABLE	NAME
		WEIGHT	-	SIZE
		CUSTOMER DRAWING		CAGE CODE
				DRAWING NO
				RESTRICTED TO
				SCALE
				SHEET
				REV
				J